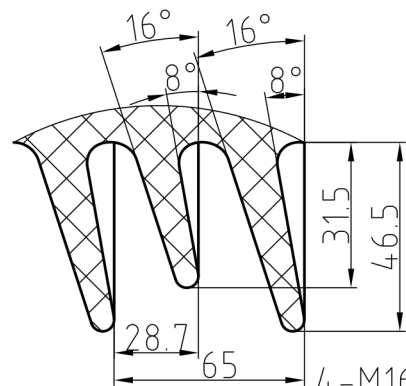
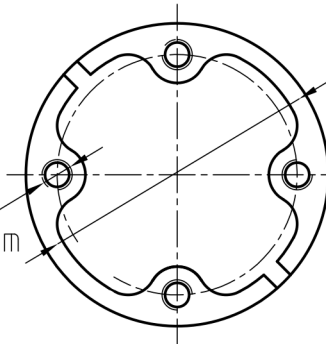


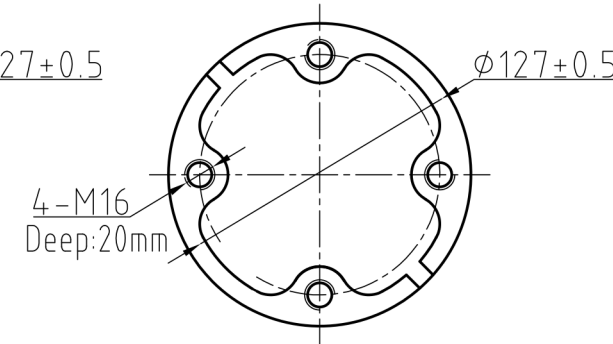
Sheds:



Top installation holes



Bottom installation holes



TECHNICAL REQUIREMENTS:

ELECTRICAL PROPERTIES

Impulse Withstand Voltage	kV	325
Wet p.f. Withstand Voltage	kV	140
Wet s.i. Withstand Voltage	kV	185

PHYSICAL PROPERTIES

Nominal Creepage Distance	mm	1450
Dry arcing Distance	mm	600
Net Weight	kg	39
Colour		Brown
Silicone seam above cement		No
Hand porcelain type		C130
Material of flanges		S.G.iron

All flange must be hot-dip galvanized
Cementing; Portland cement

MECHANICAL PROPERTIES

Ultimate bending strength	kN	10
Ultimate torsional strength	kN·m	4

Applicable standard IEC 60168 & IEC 60273

Quote (mm) senza indicazione di tolleranza secondo UNI EN 22768-1 grado: Fine Media Grossolana Molto grossolana
 Quotes (mm) without any tolerance indication are according to UNI EN 22768-1 std's: Fine Medium Coarse Very coarse

Disegno di proprietà della ISOLEX che si riserva tutti i diritti di legge / All rights pertaining to this drawing are reserved for ISOLEX

Cliente Customer	N. Ordine P. Order	Scala Scale 1:1	Codice Code C10-325-1450
Conferma Acknowledg.		File	Revisione Revision 1 di A4
ISOLEX Milano Italy			Foglio Sheet 1 di of 1
Descrizione - Description Ceramic post insulator			Disegno N. - Dwg. No. ID10319