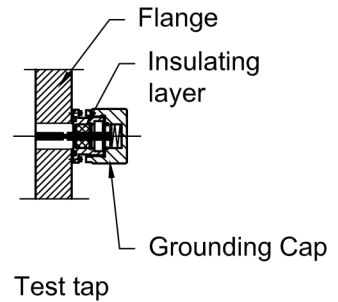
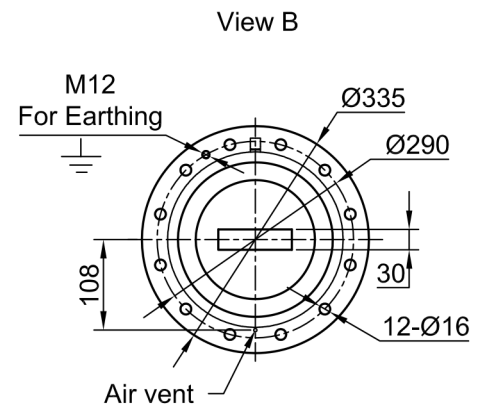
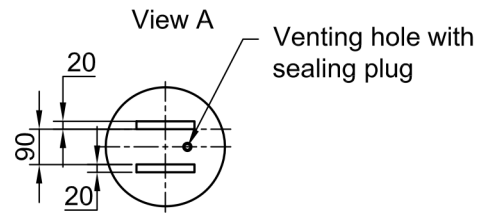
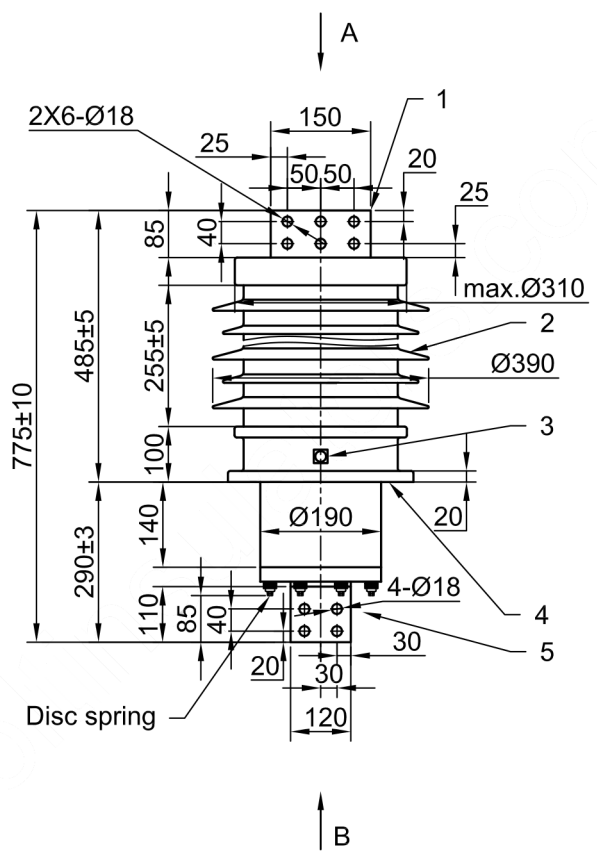


Description		
1	Top Terminal	Cu Silver plated min 10 μ m
2	Porcelain Insulator	
3	Test Tap	
4	Flange	Aluminium Alloy
5	Bottom Terminal	Cu Silver plated min 10 μ m



TECHNICAL REQUIREMENTS / CARATTERISTICHE TECNICHE		
Rated Voltage	kV	24
Rated Frequency	Hz	50
Rated Current	A	7500
1min power-frequency withstand voltage	kV	55
Partial discharge level at 24kV	<10pC	
Tand of bushings	<0.5%	
Lightning impulse withstand voltage (dry)	kV	125
Rated thermal short-time current 2sec	kA	100
Material of conductor	Cu	
Test Tap voltage withstand level	kVrms	2
Creepage distance	mm	828
Installation angle	0-90°	
Altitude above mean sea level	<1000m	
Test cantilever load	N	3150
Type of conductor	Bottom connection	
Ambient Temperature	-20°C to +42°C	
Internal Insulation	RIP	
External insulation/Colour	Porcelain/Brown	
Comply with standard: IEC 60137		

Quote (mm) senza indicazione di tolleranza secondo UNI EN 22768-1 grado: <input type="checkbox"/> Fine <input checked="" type="checkbox"/> Media <input type="checkbox"/> Grossolana <input type="checkbox"/> Molto grossolana		Quote (mm) without any tolerance indication are according to UNI EN 22768-1 std's: <input type="checkbox"/> Fine <input checked="" type="checkbox"/> Medium <input type="checkbox"/> Coarse <input type="checkbox"/> Very coarse	
Disegno di proprietà della ISOLEX che si riserva tutti i diritti di legge / All rights pertaining to this drawing are reserved for ISOLEX			
Cliente Customer	Scala Scale 1:1	Codice Code	HP307171
Conferma Acknowledg.	N. Ordine P. Order	File	Revisione Revision - A4
ISOLEX Milano Italy		Descrizione - Description Transformer Bushing	
		Foglio Sheet 1 di 1 of 1 Disegno N. - Dwg. No. ID10372	