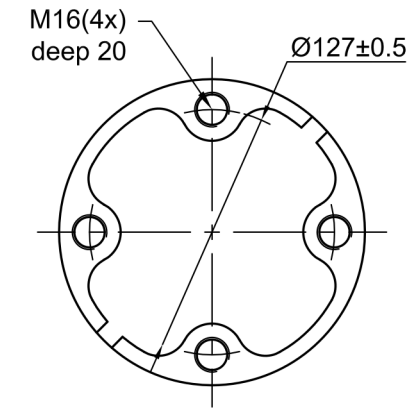
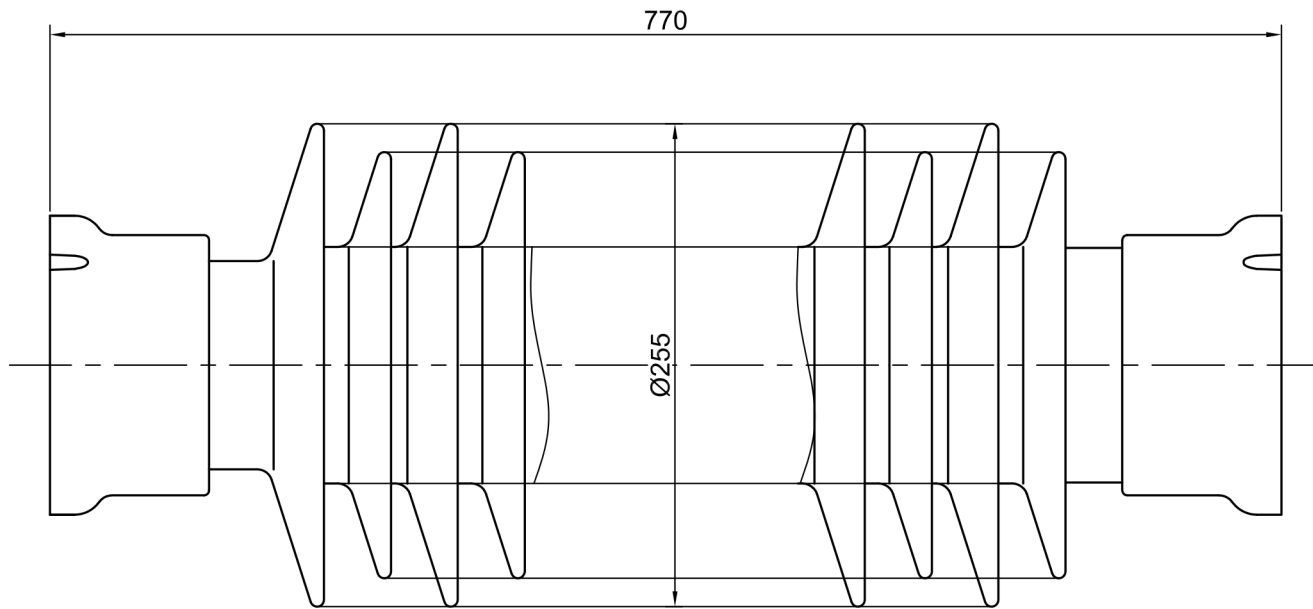


MODIFICHE	
0	I.C.0001
14-01-2026	
AT	



TOP VIEW AND BOTTOM VIEW

TECHNICAL REQUIREMENTS /CARATTERISTICHE TECNICHE		
ELECTRICAL PROPERTIES/PROPRIETA ELETTRICHE		
Lightning Impulse Withstand Voltage	kV	325
(wet) Power Frequency Withstand Voltage	kV	140
PHYSICAL PROPERTIES/PROPRIETA FISICHE		
Min. Creepage Distance	mm	2260
Metal Material	Galv. ductile Iron	
MECHANICAL PROPERTIES/PROPRIETA MECCANICHE		
Cantilever Strenght	kN	12.5
Torsional Strenght	kN.m	4
Applicable standard /Standard applicabili	IEC 60168 & IEC 60273	

Colour	Brown
Material	Porcelain
Weight	---

Quote (mm) senza indicazione di tolleranza secondo UNI EN 22768-1 grado: Fine Medium Coarse Very coarse
 Quotes (mm) without any tolerance indication are according to UNI EN 22768-1 std's: Fine Medium Coarse Very coarse

Disegno di proprietà della ISOLEX che si riserva tutti i diritti di legge / All rights pertaining to this drawing are reserved for ISOLEX

Cliente Customer	N. Ordine P. Order	Scala Scale 1:1	Codice Code
Conferma Acknowledg.		File	Revisione Revision 1
Description - Description			Foglio Sheet 1 di 1 of 1
Station Post Insulator C12.5-325-2260			Disegno N. - Dwg. No. ID10474

ISOLEX
Milano Italy