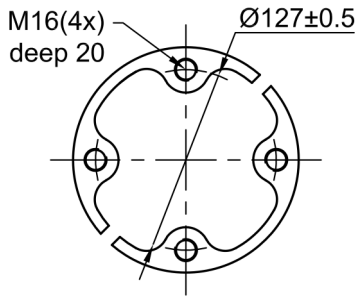
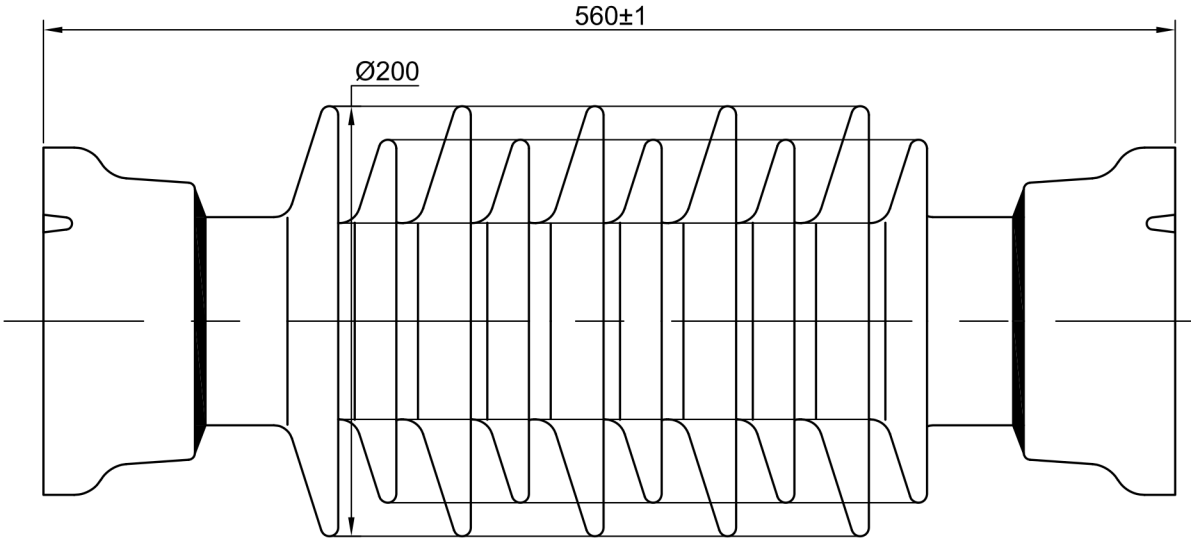


|            |          |
|------------|----------|
| MODIFICHE  |          |
| 0          | I.C.0001 |
| 13-01-2026 |          |
| AT         |          |



Top & Bottom View

|  |                       |      |
|--|-----------------------|------|
| TECHNICAL REQUIREMENTS /CARATTERISTICHE TECNICHE |                       |      |
| ELECTRICAL PROPERTIES/PROPRIETA ELETTRICHE       |                       |      |
| Lightning Impulse Withstand Voltage              | kV                    | 250  |
| (wet) Power Frequency Withstand Voltage          | kV                    | 95   |
| PHYSICAL PROPERTIES/PROPRIETA FISICHE            |                       |      |
| Min. Creepage Distance                           | mm                    | 1300 |
| Metal Material                                   | Galv. ductile Iron    |      |
| MECHANICAL PROPERTIES/PROPRIETA MECCANICHE       |                       |      |
| Cantilever Strenght                              | kN                    | 8    |
| Torsional Strenght                               | kN.m                  | 4    |
| Applicable standard /Standard applicabili        | IEC 60168 & IEC 60273 |      |

|          |           |
|----------|-----------|
| Colour   | Brown     |
| Material | Porcelain |
| Weight   | 30 kg     |

Quote (mm) senza indicazione di tolleranza secondo UNI EN 22768-1 grado:  Fine  Medium  Coarse  Very coarse  
 Quote (mm) without any tolerance indication are according to UNI EN 22768-1 std's:  Fine  Medium  Coarse  Very coarse

Disegno di proprietà della ISOLEX che si riserva tutti i diritti di legge / All rights pertaining to this drawing are reserved for ISOLEX

|                                    |                    |                               |
|------------------------------------|--------------------|-------------------------------|
| Cliente Customer                   | Scala Scale 1:1    | Codice Code                   |
| Conferma Acknowledg.               | N. Ordine P. Order | File                          |
| Descrizione - Description          |                    | Revisione Revision 1          |
| Station Post Insulator C8-250-1300 |                    | Foglio Sheet 1 di 1 of 1      |
|                                    |                    | Disegno N. - Dwg. No. ID10475 |

**ISOLEX**  
Milano Italy