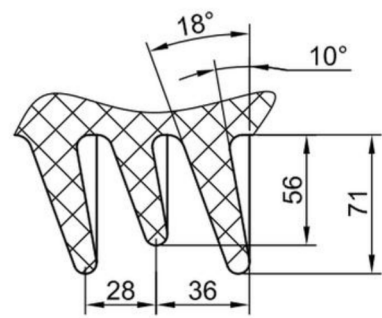


Top & Bottom View



Sheds

2	Material	Porcelain
1	Weight	13 kg
ITEM No.	DESCRIPTION	MATERIALS QTY REMARK

TECHNICAL REQUIREMENTS /CARATTERISTICHE TECNICHE		
ELECTRICAL PROPERTIES/PROPRIETA ELETTRICHE		
Lighting Ipulse Withstand Voltage	kV	200
Power Frequency Withstand voltage (wet)	kV	70
PHYSICAL PROPERTIES/PROPRIETA FISICHE		
Creepage distance min.	mm	1020
Color	Brown / Grey	
Metallic Material	Galv. Ductile Iron	
MECHANICAL PROPERTIES/PROPRIETA MECCANICHE		
Cantilever Strenght	kN	8
Torsion strenght	kN/m	3
Applicable standard	IEC 60168 & IEC 60273	

Quote (mm) senza indicazione di tolleranza secondo UNI EN 22768-1 grado: <input type="checkbox"/> Fine <input checked="" type="checkbox"/> Medium <input type="checkbox"/> Coarse <input type="checkbox"/> Molto grossolana			
Quotes (mm) without any tolerance indication are according to UNI EN 22768-1 std's: <input type="checkbox"/> Fine <input checked="" type="checkbox"/> Medium <input type="checkbox"/> Coarse <input type="checkbox"/> Very coarse			
Disegno di proprieta della ISOLEX che si riserva tutti i diritti di legge / All rights pertaining to this drawing are reserved for ISOLEX			
N. Ordine P. Order	Data Date	Disegnato Drawn	AT
		Data Date	12/02/26
Cliente Customer	Data Date	Approvato Approved	RIZZI
		Data Date	12/02/26
Conferma Acknowledg.	-	Controllato Checked	File Disk
			ID10492
Descrizione - Description		Foglio Sheet	
Station Post insulator C8-200-1020		1 di of 1	
ISOLEX Milano Italy		Disegno N. - Dwg. No. ID10492	

01	-	-	-/-/-
Rev.	Disegnato Drawn	Approvato Approved	Data Date
			Descrizione Description