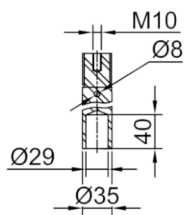
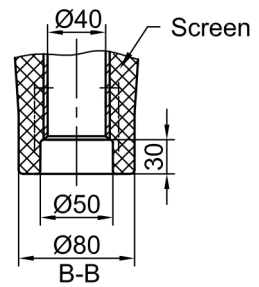
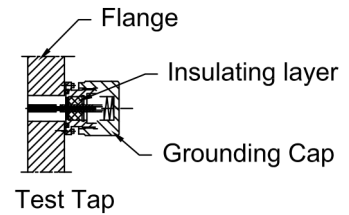
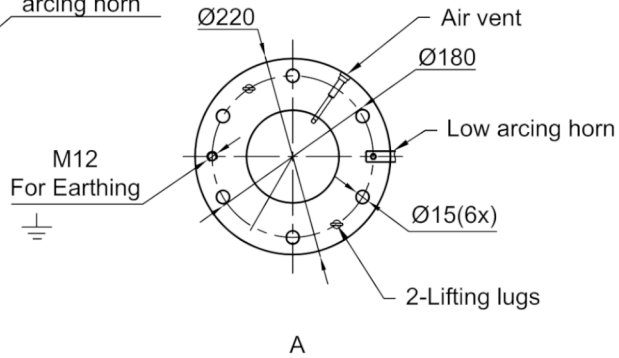
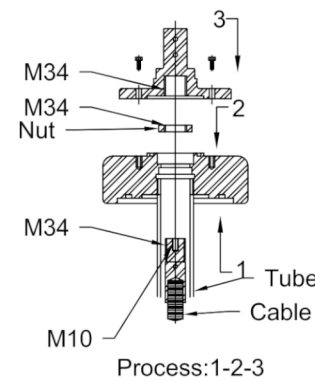


Inner terminal for cable



Top terminal fixing detail



DATI TECNICI / TECHNICAL DATA

Operating Voltage max.	52 kV
One minute power frequency withstand voltage (dry)	105 kV
Rated current	630 A
Partial discharge level at 52 kV:	≤ 5 pC
Tan(σ) of bushings	≤ 0.4 %
Lighting impulse withstand voltage (dry)	250 kV
Test tap voltage withstand level	2 kV rms
Creepage distance	≥ 1612 mm
Rated thermal short-time current	2 sec (lth): 20 kA
Ambient temperature	-40 °C to +50 °C
Altitude above mean sea level	≤ 1000 m
Installation angle	0 - 60 °
Cantilever test load	1250 N
Type of conductor	Draw lead
Internal insulation	RIP
External insulation / Colour	Porcelain / Brown
Weight	60 kg
Comply with standard	IEC 60137

Quote (mm) senza indicazione di tolleranza secondo UNI EN 22768-1 grado: <input type="checkbox"/> Fine <input checked="" type="checkbox"/> Medium <input type="checkbox"/> Coarse <input type="checkbox"/> Molto grossolana			
Quote (mm) without any tolerance indication are according to UNI EN 22768-1 std's: <input type="checkbox"/> Fine <input checked="" type="checkbox"/> Medium <input type="checkbox"/> Coarse <input type="checkbox"/> Very coarse			
Disegno di proprietà della ISOLEX che si riserva tutti i diritti di legge / All rights pertaining to this drawing are reserved for ISOLEX			
N. Ordine P. Order	Data Date	Disegnato Drawn	AT
		Data Date	25/02/26
Cliente Customer	Data Date	Approvato Approved	RIZZI
		Data Date	25/02/26
Conferma Acknowledg.	Controllato Checked	File Disk	ID10495
		Codice Code	TABLE
			A4
Descrizione - Description			Foglio Sheet
ISOLEX Milano Italy			1 di of 1
Transformer bushing HCR-52-630			Disegno N. - Dwg. No. ID10495

01	-	-	-/-/-	
Rev.	Disegnato Drawn	Approvato Approved	Data Date	Descrizione Description