**ELECTRICAL PROPERTIES**

1. Max. service voltage
2. Lightning Impulse Withstand Voltage
3. Power Frequency Withstand Voltage

24kV 250A

125kV

50kV

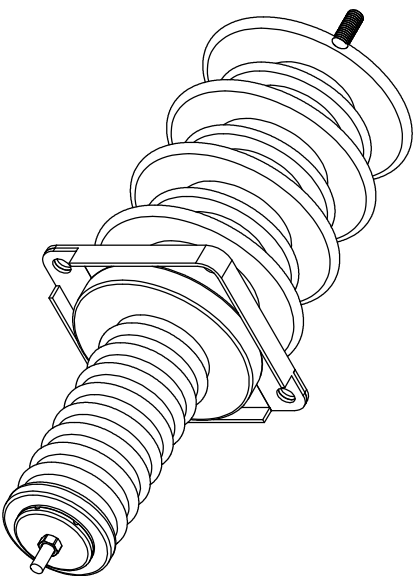
PHYSICAL PROPERTIES

1. Creepage Distance (outdoor)
2. Creepage Distance (indoor)

700mm

290mm

According to Standard: IEC 60137 ,IEC 62155



Material	Weight	Title		Drawing No.	
porcelain		24kV-250A Bushings		HS017996	
Drawn	Date	Name	UNIT	SCALE	COLOUR
2021-04-06	2021-04-06	GM	mm	NTS	Gray
Checked					
Approved					