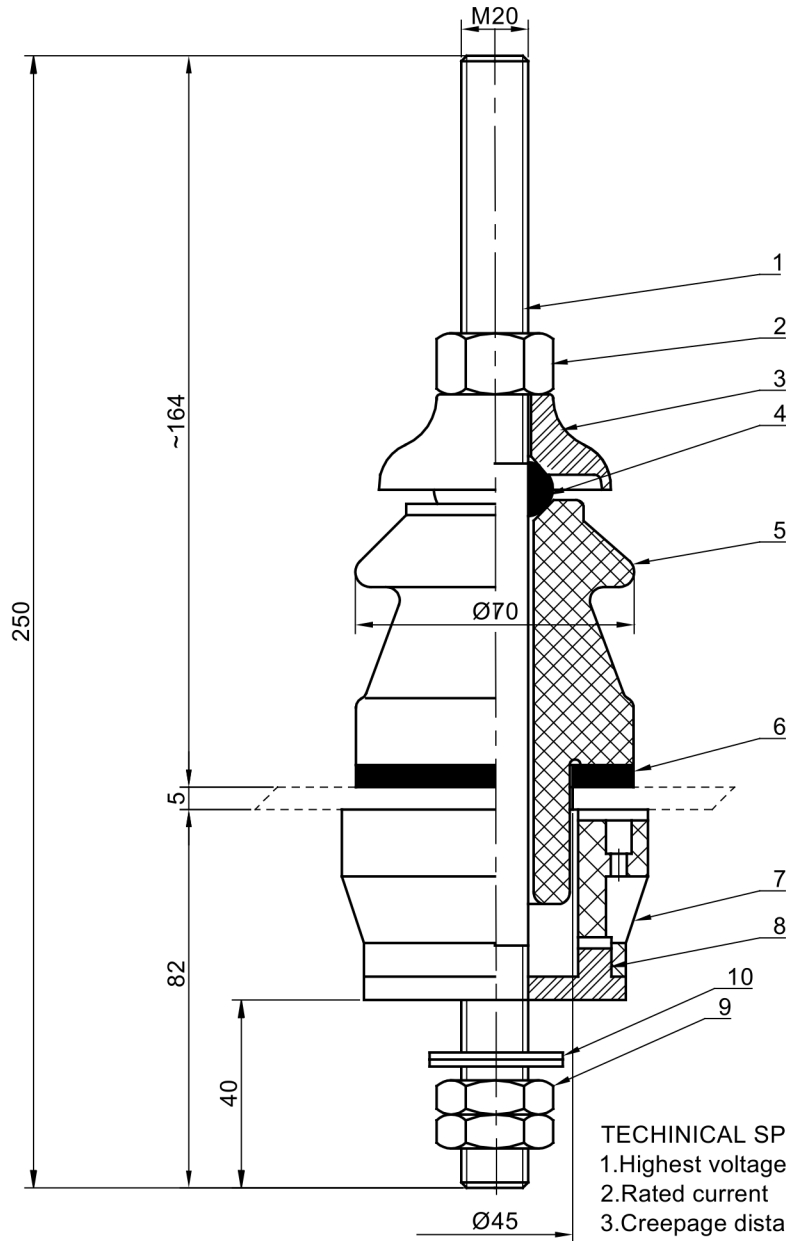


HP058470.3



**TECHINICAL SPECIFICATION**

1. Highest voltage rating	1.2kV
2. Rated current	630A
3. Creepage distance	70mm
4. BIL rating	20kV
5. Cantilever load	1000N
6. Power frequency withstand voltage (wet/dry)	10kV/10kV

NO	DESCRIPTION	MATERIALS	QTY	NO	DESCRIPTION	MATERIALS	QTY
10	Washer	Brass	2	5	Top insulation body	Porcelain	1
9	Lock nut	Brass	2	4	Ring gasket	NBR	1
8	Base	Brass	1	3	Cover	Brass	1
7	Bottom insulation body	Nylon	1	2	Nut	Brass	1
6	Flange gasket	NBR	1	1	Conductor rod	Brass	1

Material	Weight			Drawing No.		
Porcelain	2.2kg			ID10505		
	Date	Name	UNIT	SCALE	COLOUR	
Drawn	2021-06-01		mm	NTS	Brown	
Checked			Title			
Approved			1kV/630A-70 (EN 50386)			