

HP021105

TECHNICAL SPECIFICATION

1.Highest voltage rating	1.2kV
2.Rated current	1000A
3.Creepage distance	75mm
4.BIL rating	20kV
5.Cantilever load	1250N
6.Power frequency withstand voltage (wet/dry)	10kV/10kV

A

A

B

B

C

C

D

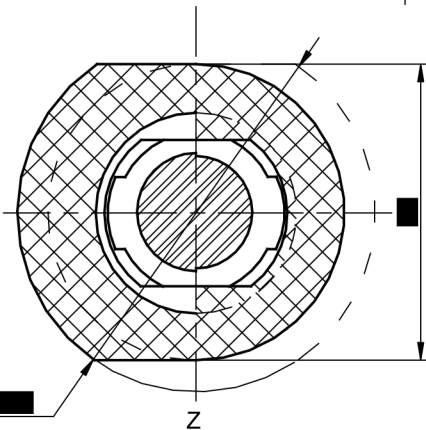
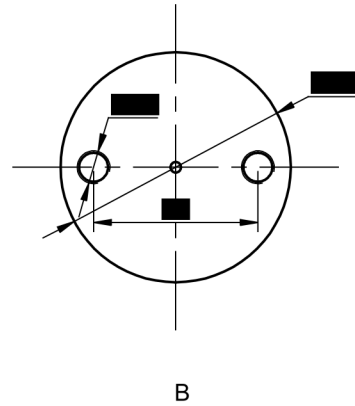
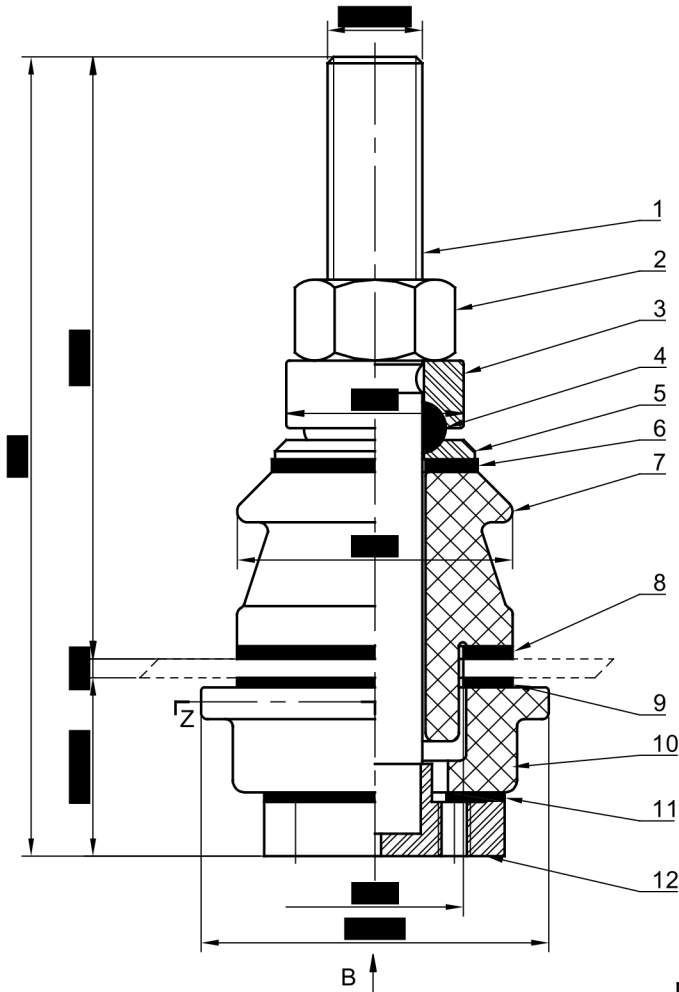
D

E

E

F

F



12	Base	Brass	1
11	Base gasket	Pressboard	1
10	Bottom insulation body	Porcelain	1
9	Internal gasket	Pressboard	1
8	Flange gasket	NBR	1
7	Top insulation body	Porcelain	1
6	Plain gasket	NBR	1
5	Washer	Brass	1
4	Ring gasket	NBR	1
3	Cover	Brass	1
2	Nut	Brass	1
1	Stem	Brass	1
NO	DESCRIPTION	MATERIALS	QTY

Material	Weight	
Porcelain		
	Date	Name
Drawn	2021-05-31	
Checked		
Approved		



Drawing No.		
ID10508		
UNIT	SCALE	COLOUR
mm	NTS	

Title
1kV/1000A (DIN 42530)

1

2

3

4