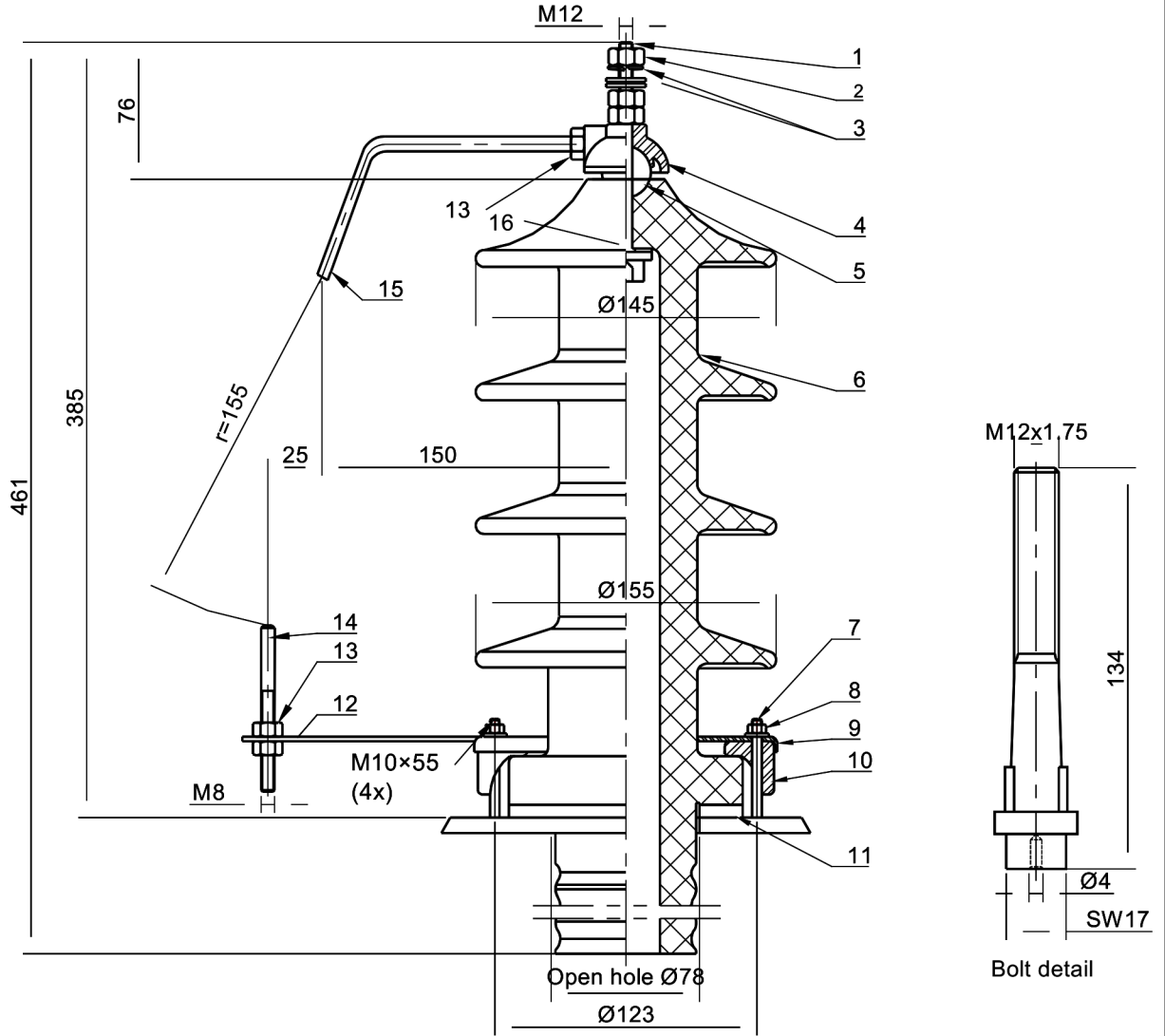


HP057574.2

TECHNICAL SPECIFICATION

1.Highest voltage rating	24kV
2.Rated current	250A
3.Creepage distance	480mm
4.BIL rating	125kV
5.Cantilever load	1000N
6.Power frequency withstand voltage (wet/dry)	50kV/55kV



16	Gasket	Pressboard	1	8	Nut M10	Stainless steel	4
15	Arcing horn(Top)	Stainless steel	1	7	Bolt M10	Galvanized steel	4
14	Arcing horn(Bottom)	Stainless steel	1	6	Bushing body	Porcelain	1
13	Nut M8	Stainless steel	3	5	Ring Gasket	NBR	1
12	Arcing support	Stainless steel	1	4	Cover	Brass	1
11	Flange gasket	NBR	1	3	Spring washer/washer	Stainless steel/ Brass	1/2
10	Clamping	Aluminium alloy	4	2	Nuts	Brass	3
9	Fixing ring	Galvanized steel	1	1	Bolt	Brass	1
ITEM NO	DESCRIPTION	MATERIALS	QTY	ITEM NO	DESCRIPTION	MATERIALS	QTY

Material	Weight			Drawing No.		
Porcelain				ID10512		
	Date	Name		UNIT	SCALE	COLOUR
Drawn	2021-05-31			mm	NTS	Brown
Checked				Title		
Approved				20NF250A-480mm (DIN 42531)		